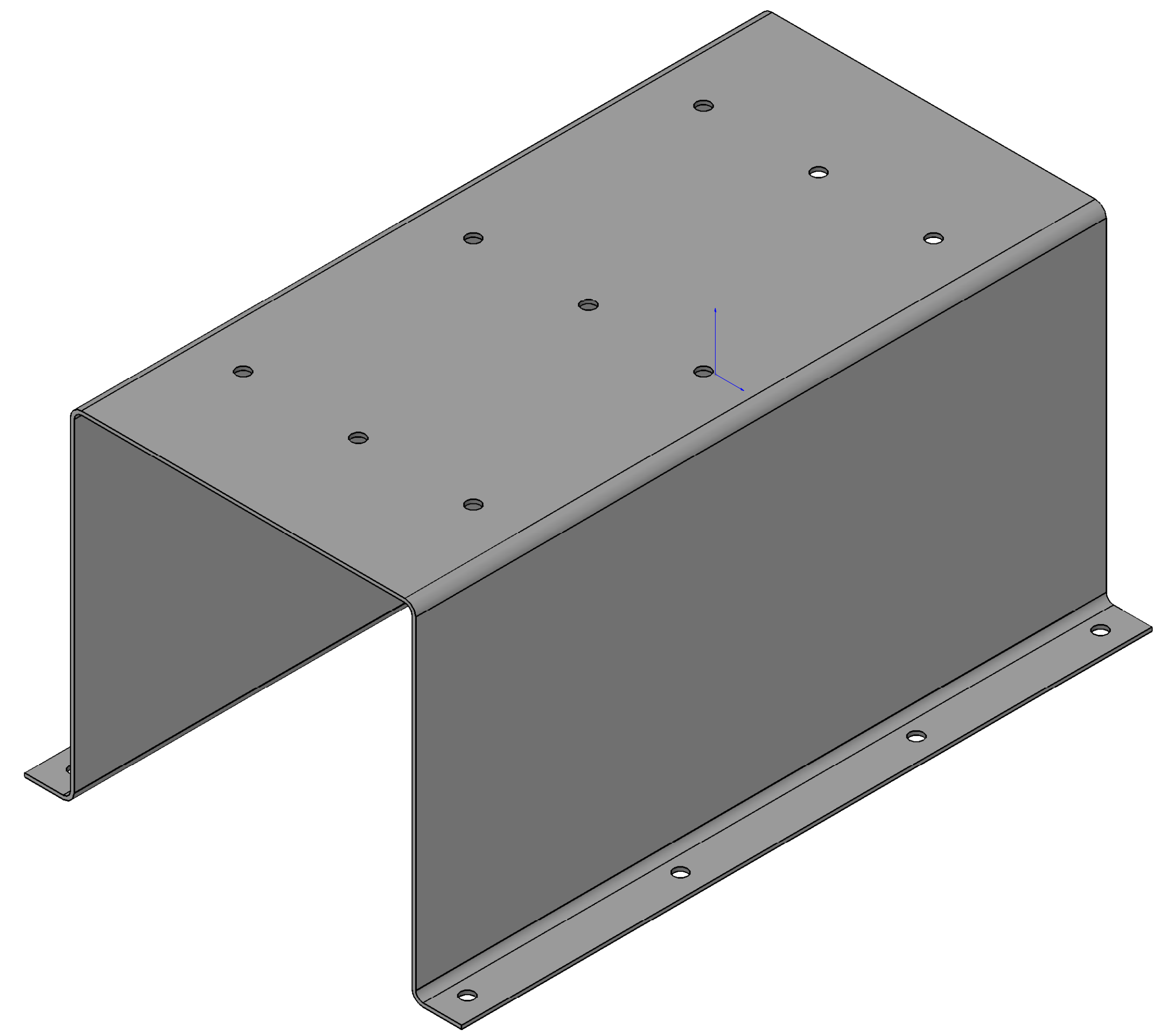
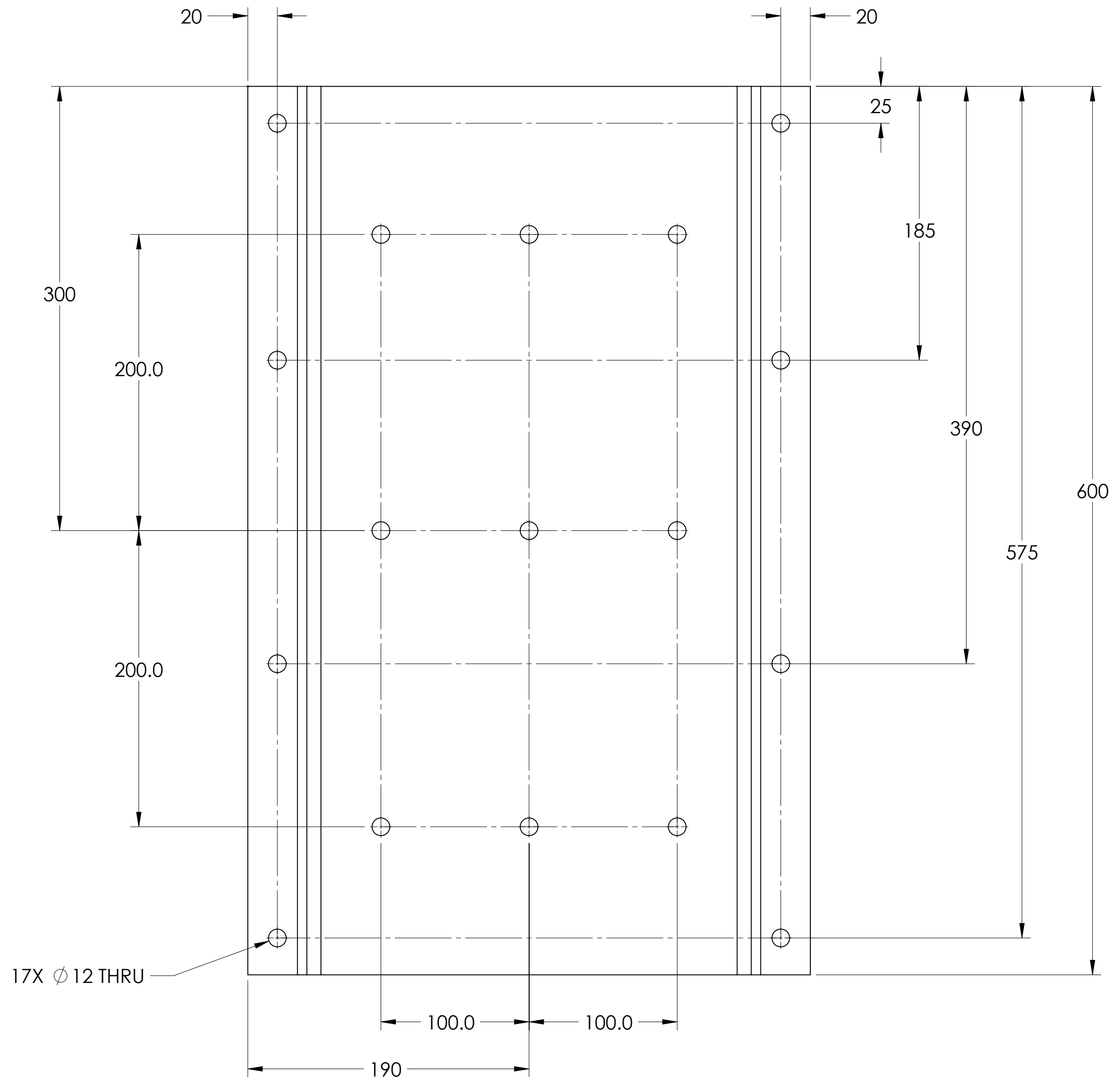
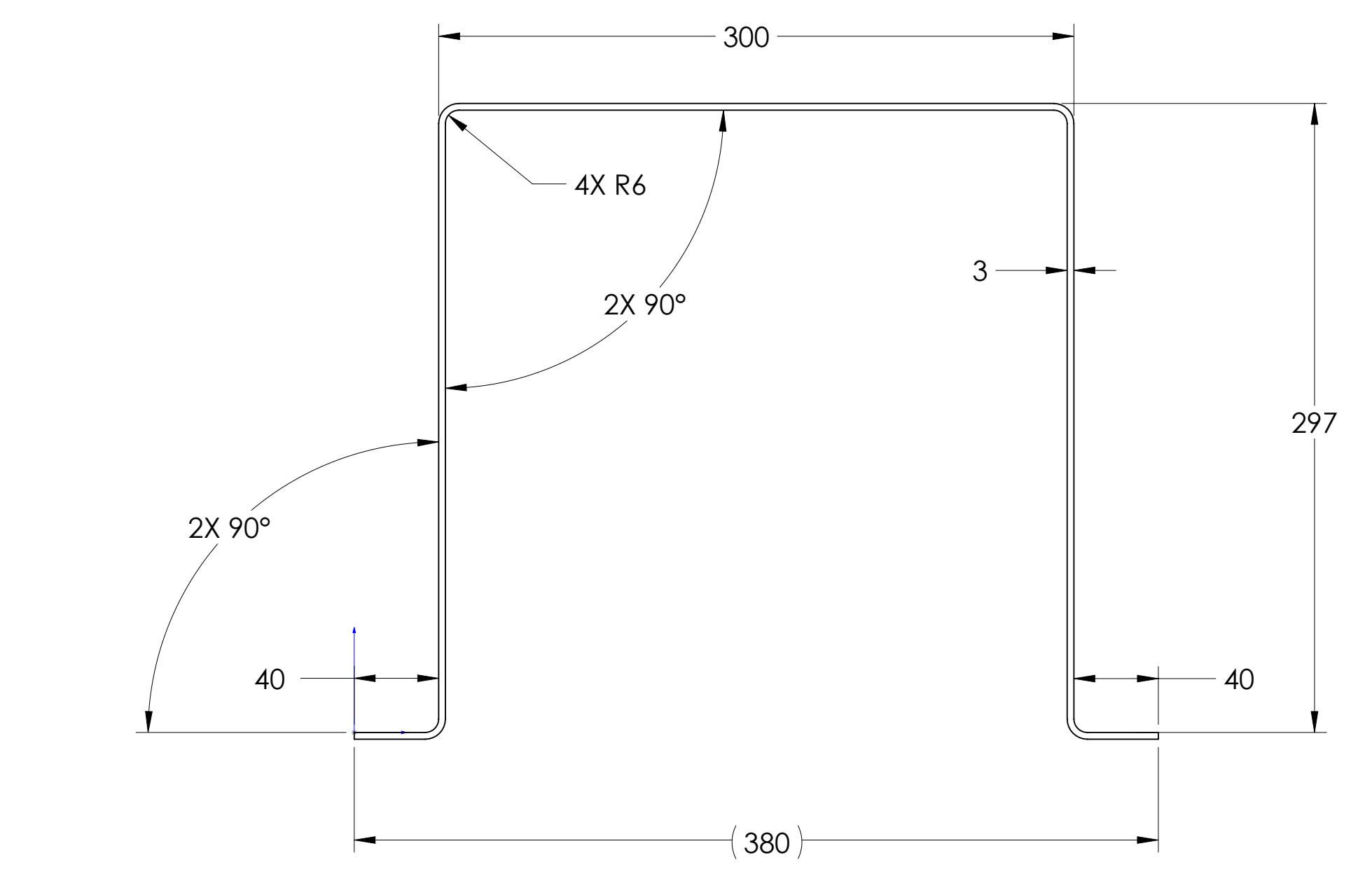


REVISIONS						
ECH NO	REV	ZONE	LTR	DESCRIPTION	DATE	CHK



ISOMETRIC VIEW



**ALL DIMENSIONS ARE IN MILLIMETERS
REFER TO TITLEBLOCK FOR TOLERANCES**

1. DEBURR ALL SHARP EDGES
NOTES:

UNLESS OTHERWISE SPECIFIED DIMENSIONS ARE IN MILLIMETERS AND ARE AFTER PLATING.	DRW BY	RCHR	05-15-14	SITE
	CHK BY	MIKEL	05-15-14	
X ±1 .XX ±.75 .XXX ±.25	ENG BY			DESIGN FILE
	NEXT ASSY			
THIRD ANGLE PROJECTION	REF LAYOUT			MACHINE FINISH Rg
	UNSPEC RADII	R		
DIMENSIONS WITH ± TOLERANCES ARE IDEAL DESIGN DIMENSIONS. ALL DIMENSIONS AND TOLERANCES PER ANSI Y14.5M - 1982	MATERIAL			INOX PLATE
	SCALE	1:4		
DO NOT SCALE	COPYRIGHT - ALL RIGHTS RESERVED			DRAWING NO. MIKEL 1000
	SIZE	D	REV 0	
	SCALE	1:4	SHEET	1 OF 1

**BRACKET, DIVING BOARD,
U-SHAPED**