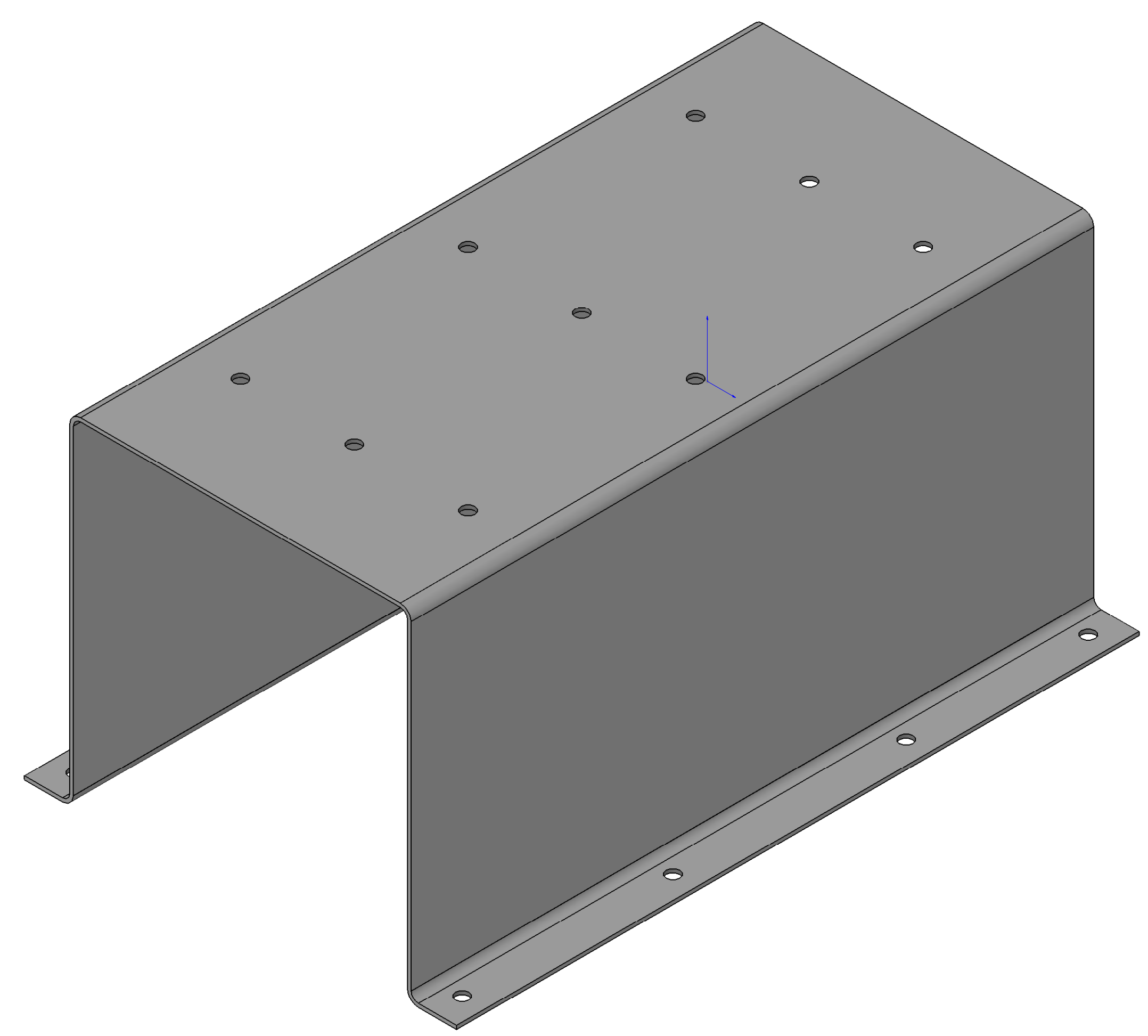
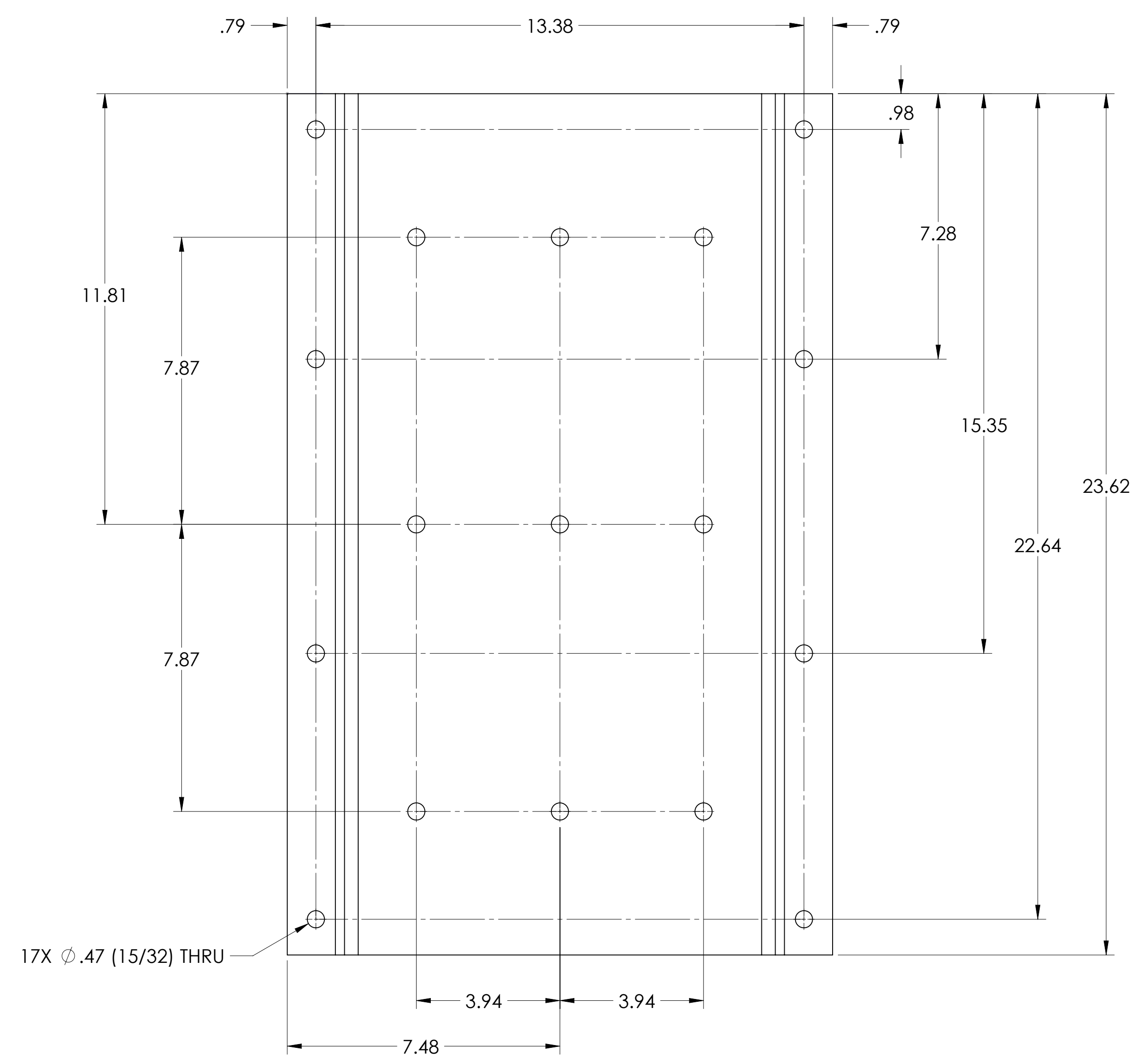
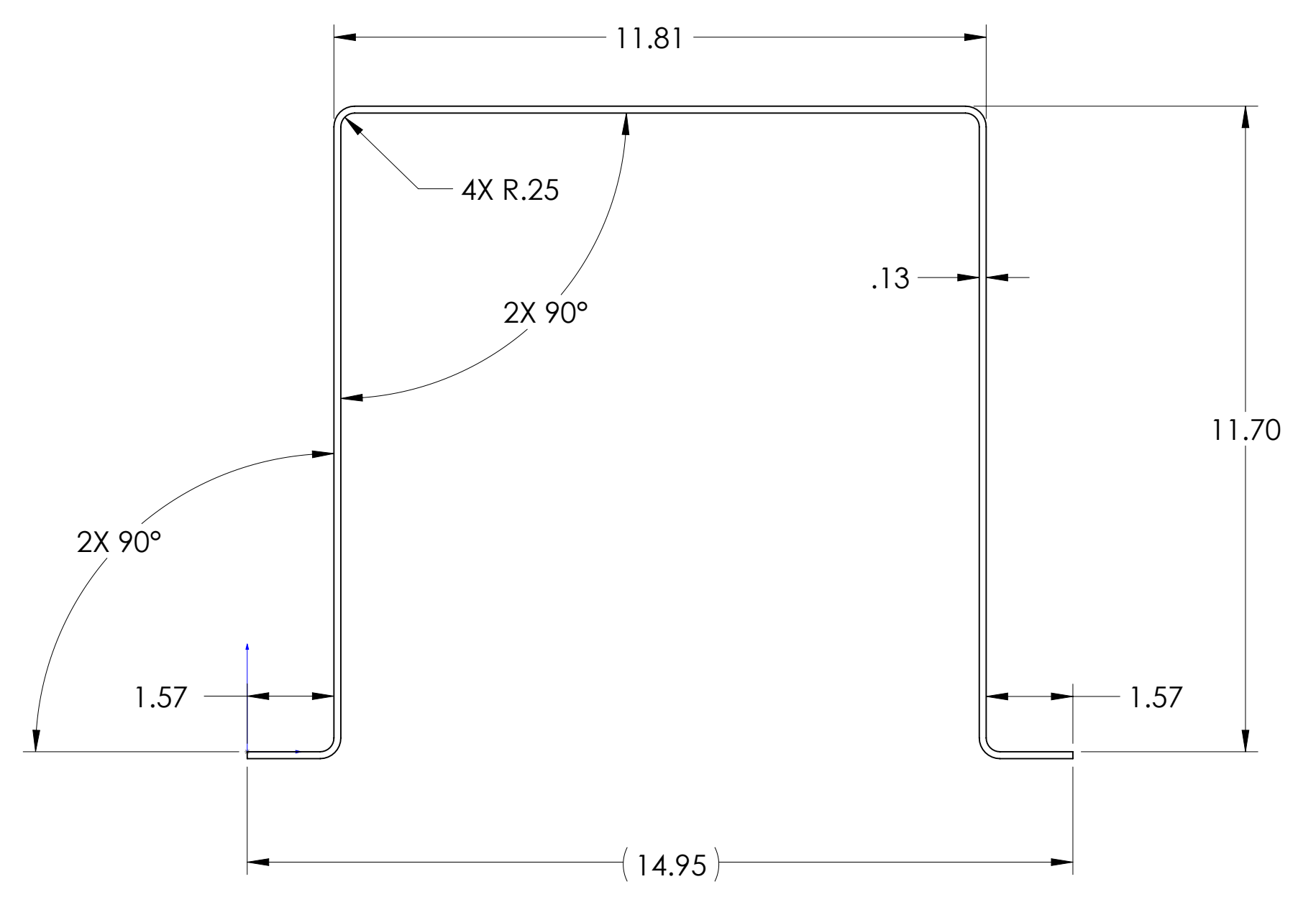


REVISIONS						
ECH NO	REV	ZONE	LTR	DESCRIPTION	DATE	CHK



ISOMETRIC VIEW



ALL DIMENSIONS ARE IN INCHES
REFER TO TITLEBLOCK FOR TOLERANCES

- NOTES:
1. DEBURR ALL SHARP EDGES

UNLESS OTHERWISE SPECIFIED DIMENSIONS ARE IN INCHES AND ARE AFTER PLATING.	DRW BY	RCHR	05-15-14	SITE
	CHK BY	MIKEL	05-15-14	
X ±.06 .XX ±.03 .XXX ±.01	ENG BY			DESIGN FILE
	NEXT ASSY			
THIRD ANGLE PROJECTION	REF LAYOUT		MACHINE FINISH	BRACKET, DIVING BOARD, U-SHAPED
			Rg	
DIMENSIONS WITH ± TOLERANCES ARE IDEAL DESIGN DIMENSIONS. ALL DIMENSIONS AND TOLERANCES PER ANSI Y14.5M - 1982	UNSPEC RADII	R	MATERIAL	INOX PLATE
DO NOT SCALE	COPYRIGHT - ALL RIGHTS RESERVED			SIZE
	D	DRAWING NO.	MIKEL 1000	REV
				0
	SCALE	1:4	SHEET	1 OF 1